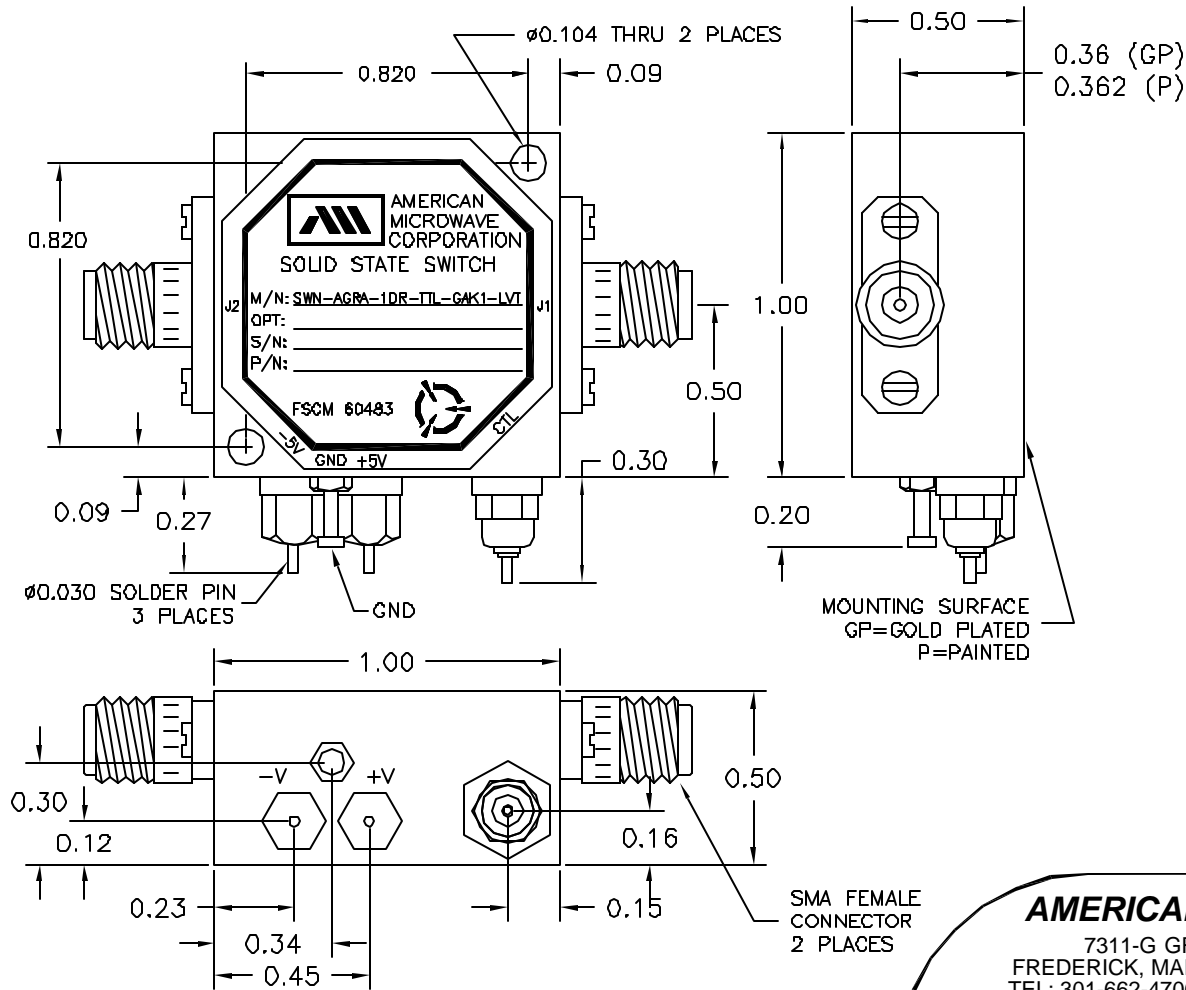


DESCRIPTION

AMC MODEL SWN-AGRA-1DR-TTL-GAK1-LVT IS A SINGLE POLE SINGLE THROW, REFLECTIVE SWITCH MODULE WITH VERY LOW INSERTION LOSS, HIGH ISOLATION AND WITH INTEGRAL TTL DRIVER, DESIGNED FOR LOW VIDEO TRANSIENTS.

REVISIONS				
ZONE	REV.	DESCRIPTION	DATE	APPROVED
	-	ORIGINAL RELEASE JOB# 311210-2	4/19/04	
	A	SEE ECN #05-057	8/9/05	



MECHANICAL OUTLINE

AMERICAN MICROWAVE CORPORATION

7311-G GROVE ROAD
 FREDERICK, MARYLAND 21704 USA
 TEL: 301-662-4700 FAX: 301-662-4938
 WEBSITE: www.americanmicrowavecorp.com
 E-MAIL: sales@americanmicrowavecorp.com
 ISO 9001:2000 CERTIFIED



ALL DIMENSIONS ARE IN INCHES
 TOLERANCES:
 X.XX ±0.020
 X.XXX ±0.010

APPROVALS		DATE	TITLE		
DRAWN <i>EJD</i>		4/19/04	MECHANICAL OUTLINE		
MODIFIED <i>FDJ</i>		8/9/05	SWN-AGRA-1DR-TTL-GAK1-LVT		
ISSUED			SIZE	FSCM NO.	DWG NO.
			A	60483	100-6959
			SCALE	N:S	SHEET 2 OF 4
					REV. A

DESCRIPTION

AMC MODEL SWN-AGRA-1DR-TTL-GAK1-LVT IS A SINGLE POLE SINGLE THROW, REFLECTIVE SWITCH MODULE WITH VERY LOW INSERTION LOSS, HIGH ISOLATION AND WITH INTEGRAL TTL DRIVER, DESIGNED FOR LOW VIDEO TRANSIENTS.

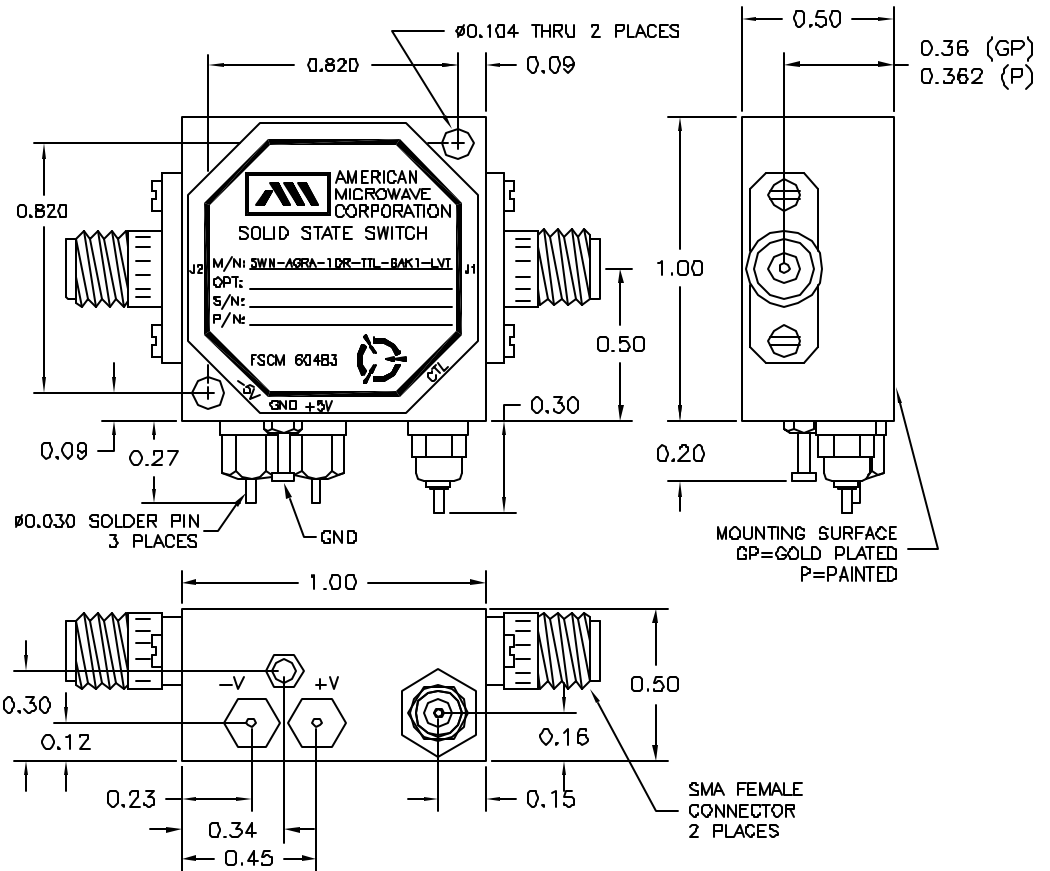
SPECIFICATIONS

- FREQUENCY RANGE: 1 TO 18 GHz
- INSERTION LOSS: 2.5 dB MAXIMUM
- ISOLATION: 1-2 GHz: 45 dB MINIMUM
2-18 GHz: 70 dB MINIMUM
- VSWR: 2.0:1
- RISE TIME: 5 nSec MAXIMUM
- FALL TIME: 5 nSec MAXIMUM
- DELAY ON: 15 nSec MAXIMUM
- DELAY OFF: 15 nSec MAXIMUM
- VIDEO TRANSIENT: 470 mV PEAK TO PEAK MAXIMUM
⊕ 100 MHz BANDWIDTH
- CONTROL: TTL LOGIC "0" = ON
TTL LOGIC "1" = OFF
- POWER SUPPLY: +5V @ 60 mA MAXIMUM
-5V @ 60 mA MAXIMUM
- CONNECTORS:
RF: SMA FEMALE
CONTROL: SOLDER PIN
- SIZE: 1.00" (L) x 1.00" (W) x 0.50" (H)
- WEIGHT: 1.5 OUNCE TYPICAL

ENVIRONMENTAL RATINGS:

- TEMPERATURE: -55°C TO +85°C (OPERATING)
-65°C TO +125°C (STORAGE)
- HUMIDITY: MIL-STD-202F, METHOD 103B COND. B
- SHOCK: MIL-STD-202F, METHOD 213B COND. B
- VIBRATION: MIL-STD-202F, METHOD 204D COND. B
- ALTITUDE: MIL-STD-202F, METHOD 105C COND. B
- TEMPERATURE CYCLE: MIL-STD-202F, METHOD 107D COND. A

NOTE: SPECIFICATIONS WILL VARY OVER OPERATING TEMPERATURE.
NOTE: THE ABOVE SPECIFICATIONS ARE SUBJECT TO CHANGE OR REVISION



ALL DIMENSIONS ARE IN INCHES
TOLERANCES:
XXX ±0.020
XXX ±0.010

REVISIONS				
ZONE	REV.	DESCRIPTION	DATE	APPROVED
	-	ORIGINAL RELEASE JOB# 311210-2	4/19/04	
	A	SEE ECN #05-057	8/9/05	

AMERICAN MICROWAVE CORPORATION

7311-G GROVE ROAD
FREDERICK, MARYLAND 21704 USA
TEL: 301-662-4700 FAX: 301-662-4938
WEBSITE: www.americanmicrowavecorp.com
E-MAIL: sales@americanmicrowavecorp.com
ISO 9001:2000 CERTIFIED



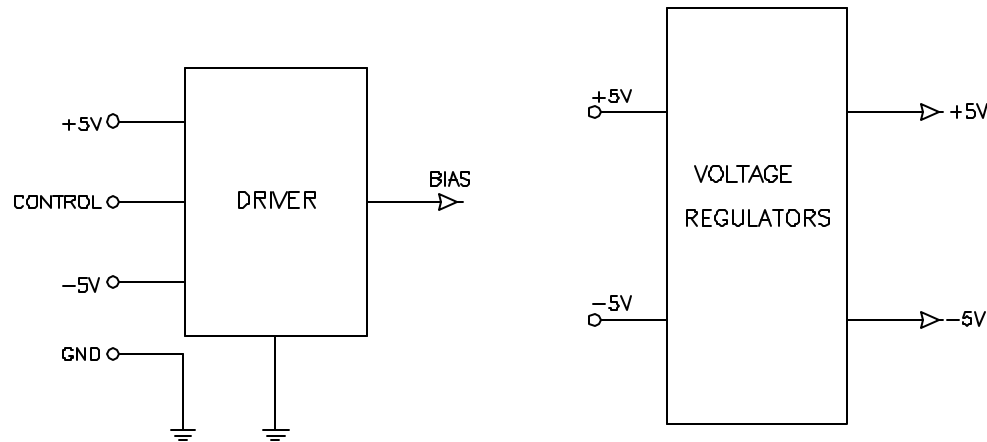
APPROVALS		DATE	TITLE		REV.
DRAWN <i>EJE</i>		4/19/04	PRODUCT FEATURE SWN-AGRA-1DR-TTL-GAK1-LVT		
MODIFIED <i>PDG</i>		8/9/05	SIZE A	FSCM NO. 60483	DWG NO. 100-6959
ISSUED			SCALE N:S	SHEET 1 OF 4	

DESCRIPTION

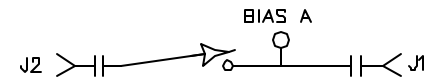
AMC MODEL SWN-AGRA-1DR-TTL-GAK1-LVT IS A SINGLE POLE SINGLE THROW, REFLECTIVE SWITCH MODULE WITH VERY LOW INSERTION LOSS, HIGH ISOLATION AND WITH INTEGRAL TTL DRIVER, DESIGNED FOR LOW VIDEO TRANSIENTS.

REVISIONS				
ZONE	REV.	DESCRIPTION	DATE	APPROVED
	-	ORIGINAL RELEASE JOB# 311210-2	4/19/04	
	A	SEE ECN #05-057	8/9/05	

FUNCTIONAL BLOCK DIAGRAM



BLOCK DIAGRAM



CONFIDENTIAL AND PROPRIETARY

AMERICAN MICROWAVE CORPORATION

7311-G GROVE ROAD
 FREDERICK, MARYLAND 21704 USA
 TEL: 301-662-4700 FAX: 301-662-4938
 WEBSITE: www.americanmicrowavecorp.com
 E-MAIL: sales@americanmicrowavecorp.com
 ISO 9001:2000 CERTIFIED



APPROVALS		DATE	TITLE		
DRAWN <i>EJD</i>		4/19/04	FUNCTIONAL BLOCK DIAGRAM		
MODIFIED <i>FDJ</i>		8/9/05	SWN-AGRA-1DR-TTL-GAK1-LVT		
ISSUED			SIZE	FSCH. NO.	DWG. NO.
			A	60483	100-6959
			SCALE	N:S	SHEET 3 OF 4
					REV. A